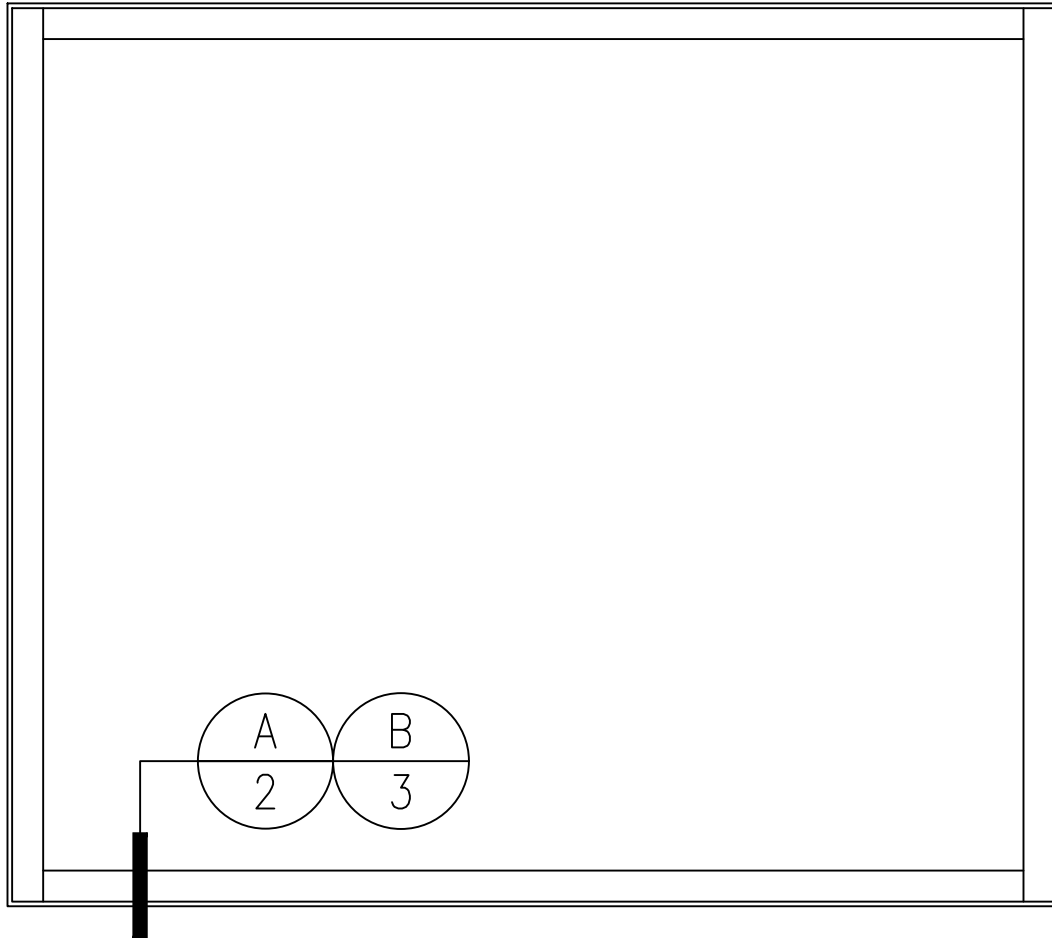


GPX EZ FRAME

120 MINUTE FIRE RESISTIVE WALL

GPX EZ FRAME WITH SUPERLITE II-XL 120 OR SUPERLITE II-XLB 120

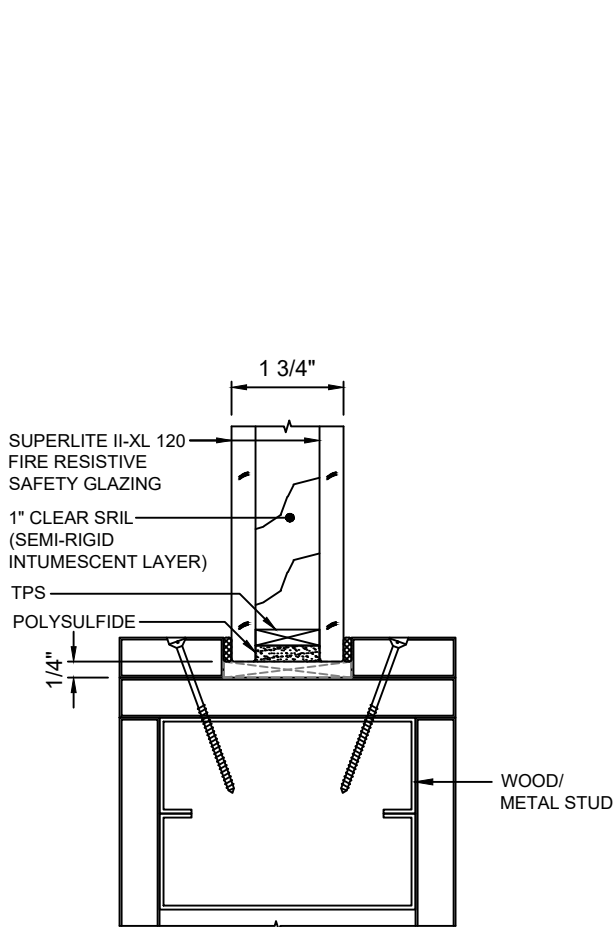


GLASS TYPE

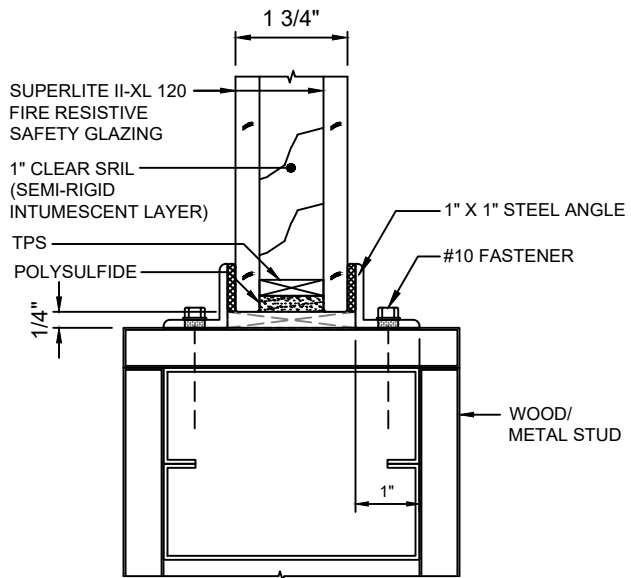
- (A) SUPERLITE II-XL 120
MAX. CV AREA PER INDIVIDUAL LITE: **4,876 SQ. IN.**
MAX. CV HEIGHT OR WIDTH PER INDIVIDUAL LITE: **124 IN.**
- (B) SUPERLITE II-XLB 120
MAX. CV AREA PER INDIVIDUAL LITE: **7,980 SQ. IN.**
MAX. CV HEIGHT OR WIDTH PER INDIVIDUAL LITE: **133 IN.**

GPX EZ FRAME

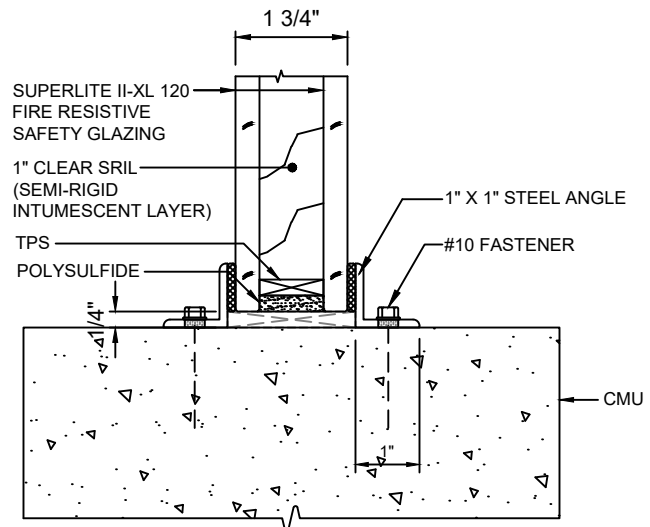
120 MINUTE FIRE RESISTIVE WALL



A
2.1 SILL DETAIL ON WOOD OR METAL STUD WITH SUPERLITE II-XL 120



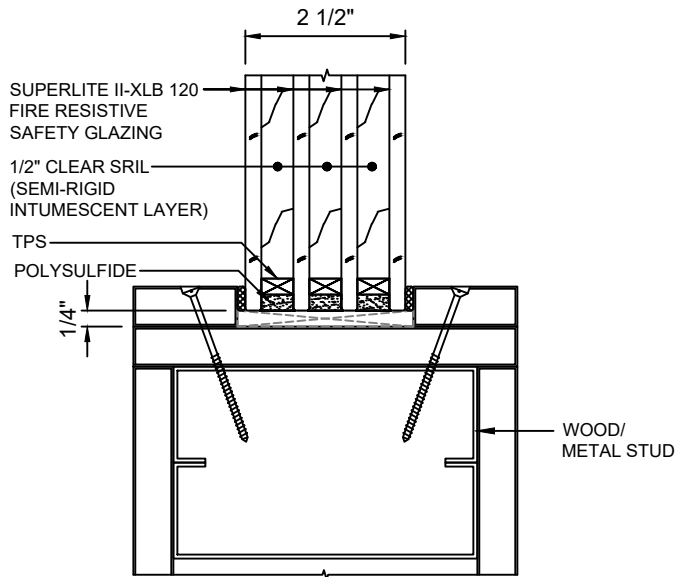
A
2.2 SILL DETAIL WITH STEEL ANGLES ON WOOD OR METAL STUD WITH SUPERLITE II-XL 120



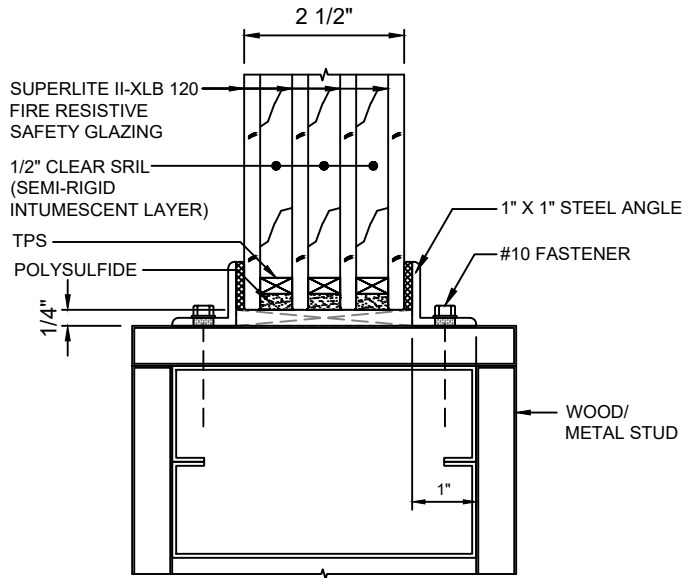
A
2.3 SILL DETAIL WITH STEEL ANGLES WITH SUPERLITE II-XL 120

GPX EZ FRAME

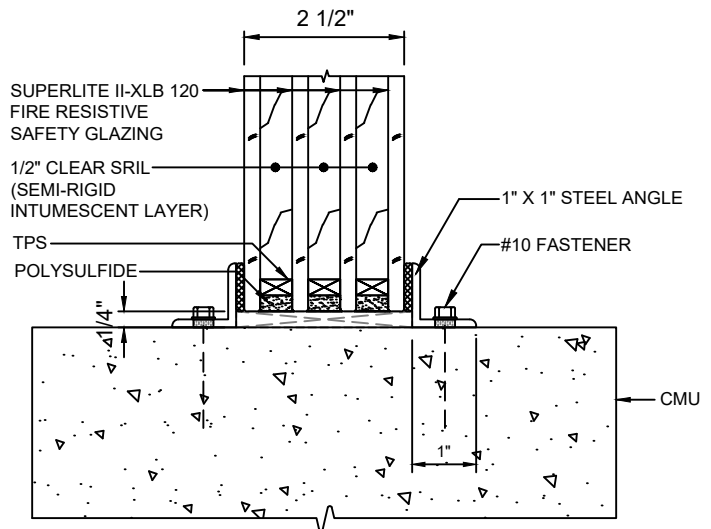
120 MINUTE FIRE RESISTIVE WALL



B
3.1 SILL DETAIL ON WOOD OR METAL STUD WITH SUPERLITE II-XLB 120



B
3.2 SILL DETAIL WITH STEEL ANGLES ON WOOD OR METAL STUD WITH SUPERLITE II-XLB 120



B
3.3 SILL DETAIL WITH STEEL ANGLES WITH SUPERLITE II-XLB 120